

State when ordering

FW=.....mm
 FH=.....mm
 COW=.....mm
 COH=.....mm
 WT=.....mm
 Cover
 CL=.....mm

Surface treatment

Silver anodized
 Special anodized.....
 RAL.....
 Special powder coating.....

Door leaf and Reveal plate

Laminate

Colour

Stainless steel

Radiation protection, 1mm

Radiation protection, 2mm

Window

WH=mm

Rectangular (WxH).....x.....mm

Circular D=400mm

Glass (std. = 6mm laminated)

Single glazing

Double glazing, flush both sides

Handle (mandatory)

Handle both sides

Handle operator side only

Handle non-operator side only

Mechanical door lock

Euro 2-way
 Key lock both sides

Euro 1-way
 Key lock non-operator side

Euro 1-way
 Key lock operator side

Earthing kit

FW= Frame width (structural) (COW+165)
 Min. 965 / max. 2665

FH= Frame height (structural) (COH+25)
 Min. 1925 / max. 3000

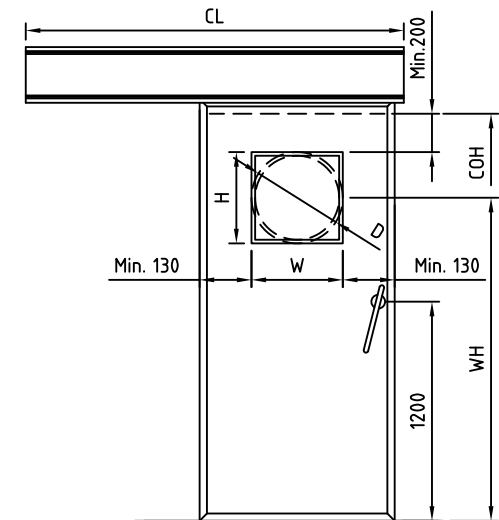
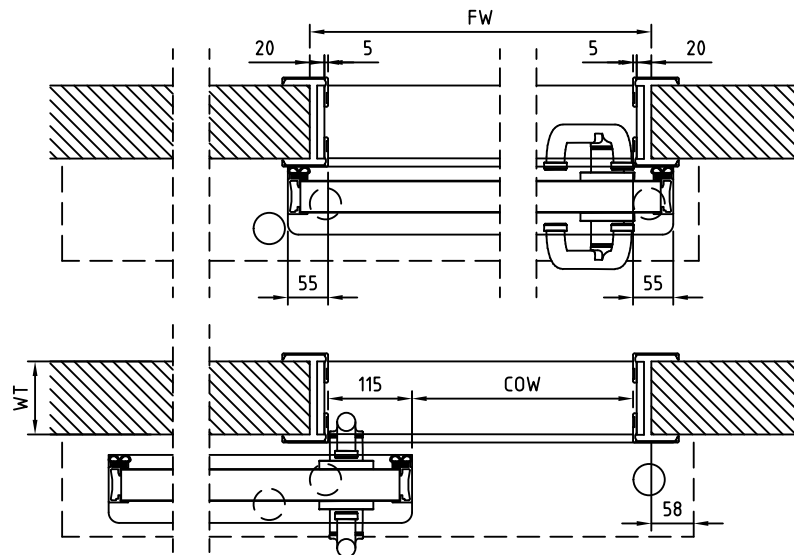
COW= Clear Opening Width (FW-165)

COH= Clear Opening Height (FH-25)

WT= Wall Thickness

CL= Cover Length (2COW+370)
 Max. 5370mm

WH= Window Height (centre)
 (standard=1500mm)



Customer:

Ref:

Door id:

Date:

Project No:

Sign:

Automatic door system
 ASSA ABLOY UniSlide H, opening left,
 with reveal plate
 Article No. 1001815

ASSA ABLOY

5.0

1001834-en